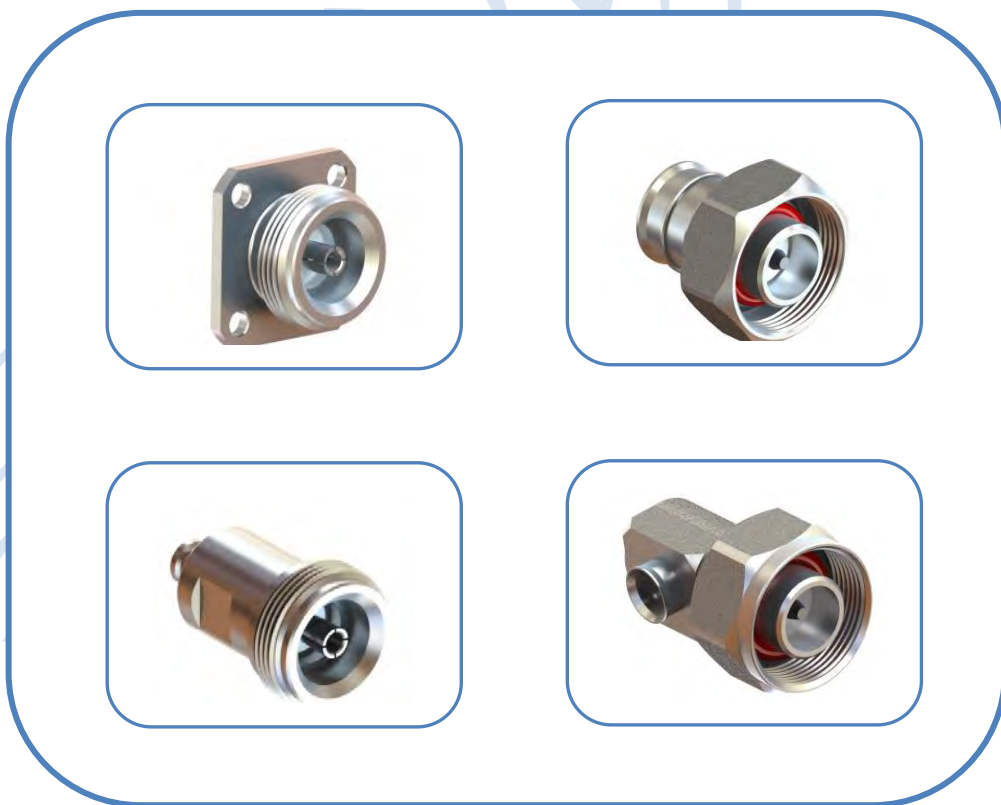


### 4195 系列射频同轴连接器


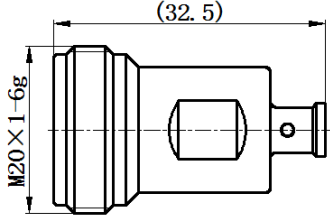
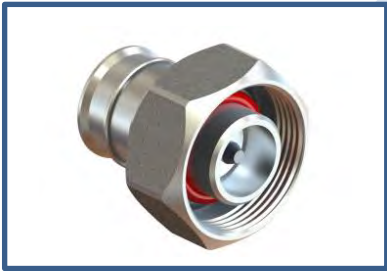
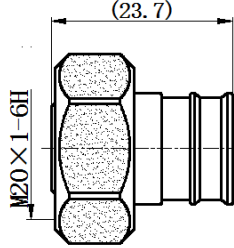
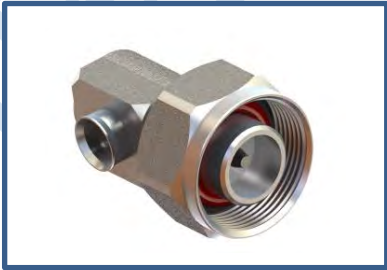
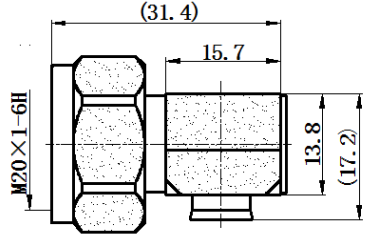

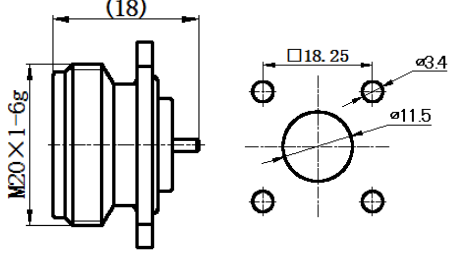
#### SERIES 4195 RF. COAXIAL CONNECTORS

4195 系列连接器是一种带产品规格尺寸在 7-16 型和 N 型之间，使用功率规格介于 7-16 系列和 N 系列之间，继承了 7-16 系列连接器的优异的 IMD 性能，以及高的可靠性。

The 4195 series of connectors are available in sizes between 7-16 and N-type, with power specifications between 7-16 and N-series. The 4195 series of connectors inherit the 7-16 series of excellent IMD performance, as well as high reliability.



### ◆ 部分产品型号外形参数 Partial Products Overall Specification

产品型号 Product No.	适配电缆 Matched cable		
4195F-H	RG141		
063-01			
产品型号 Product No.	适配电缆 Matched cable		
4195M-H	YD9		
063-02			
产品型号 Product No.	适配电缆 Matched cable		
4195M-R-H	YD5		
063-03			
产品型号 Product No.	适配电缆 Matched cable		
4195F-F-D	-		
063-04			

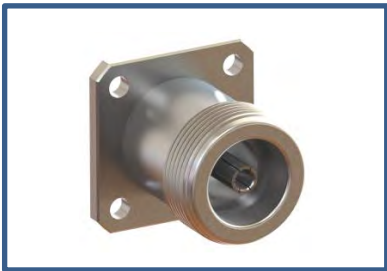
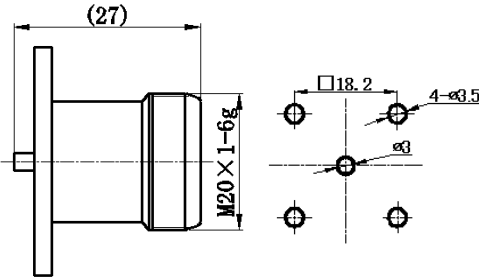
### Q4195 系列射频同轴连接器

#### SERIES Q4195 RF. COAXIAL CONNECTORS

Q4195 系列射频同轴连接器是由我司主导制定的国际标准（IEC61169-61），具备快速锁紧和螺纹连接的双重性，其插孔射频同轴连接器兼容（IEC60169-11）4.1-9.5 型插针射频同轴连接器。具有中大功率容量、低反射、低互调、体积小重量轻、性能优良、低消耗、耐环境可靠和安装维护便捷的特点。适用于恶劣环境下的射频微波通讯设备及仪器的高密度安装和快速互连互接。

Q4195 Series RF coaxial connector is an international standard (IEC61169-61) developed by our company. It has the duality of fast locking and threaded connection, its jack RF coaxial connector is also compatible (IEC60169-11) 4.1-9.5 pin RF coaxial connection Adapter. It has the characteristics of medium power capacity, low reflection, low intermodulation, small size, light weight, excellent performance, low consumption, reliable environmental resistance and convenient installation and maintenance. It is suitable for high-density installation and fast interconnection of RF and microwave communication equipment and instruments in harsh environment.

产品型号	适配电缆		
Product No.	Matched cable		
Q4195M-H	YD9		
Q4195-01			

产品型号	适配电缆		
Product No.	Matched cable		
Q4195-F-D	-		
Q4195-02			